

**NAME:** LED Corn Light

**P/N:** NLS-CL-20W

## Advantage

- CE RoHS certificate
- E26/E27/E39/E40 lamp base
- Warm / Natural / Cool / Cold white
- 360degree lighting, high CRI
- Internal driver, input voltage AC90-265V
- No UV or IR in the beam
- Easy to install and operate
- Energy saving, long service life
- Light is soft and uniform, safe to eyes
- Instant start, NO flickering, NO humming
- Green and eco-friendly without mercury



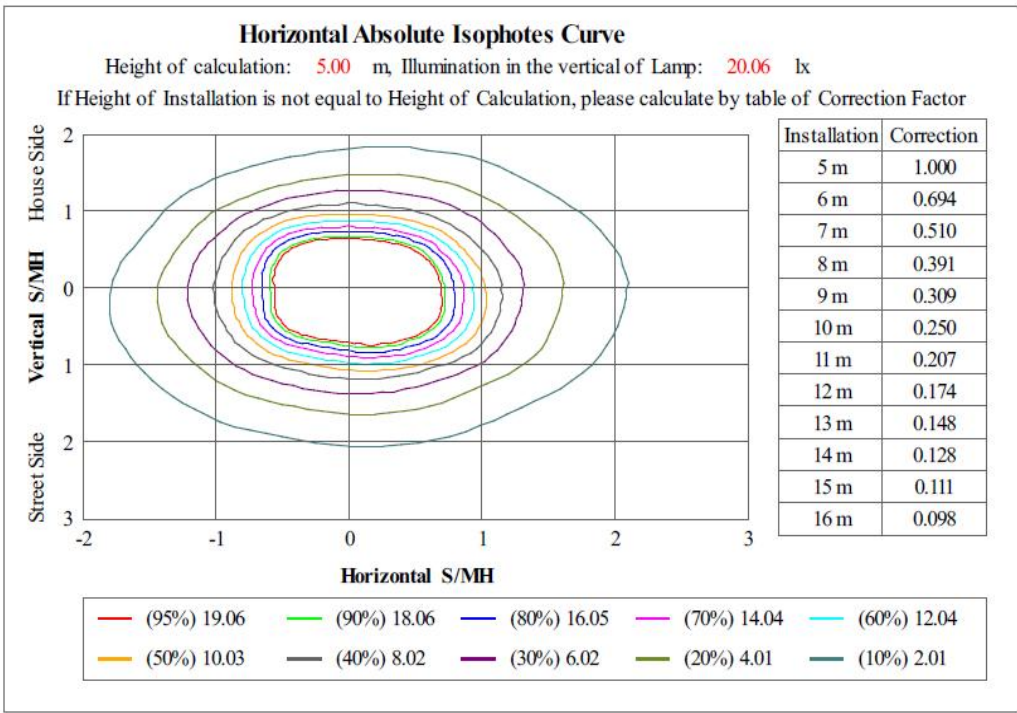
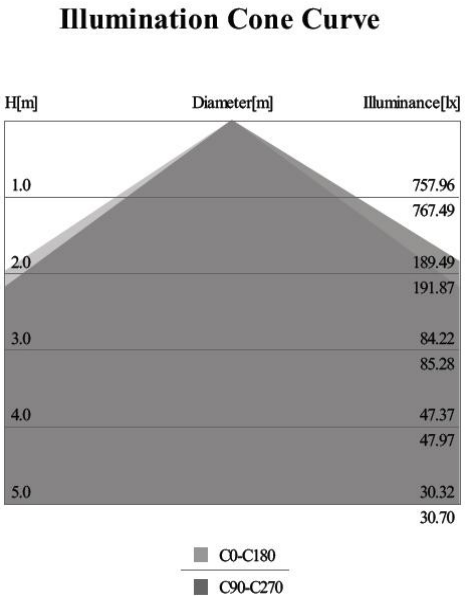
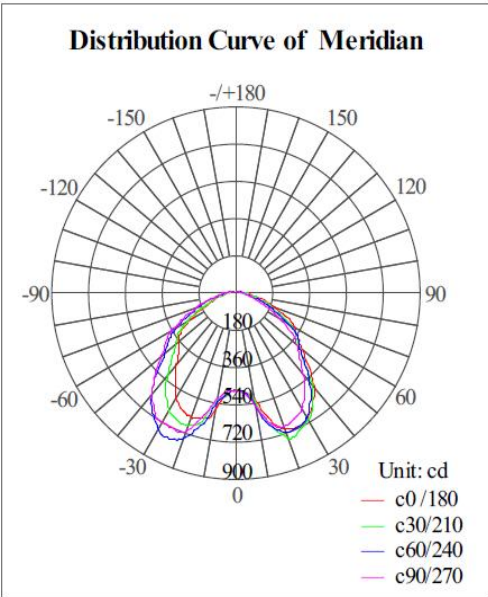
## Application

Widely used in supermarket, warehouse, garage, home, office, hotel, hospital, school, street, garden etc.

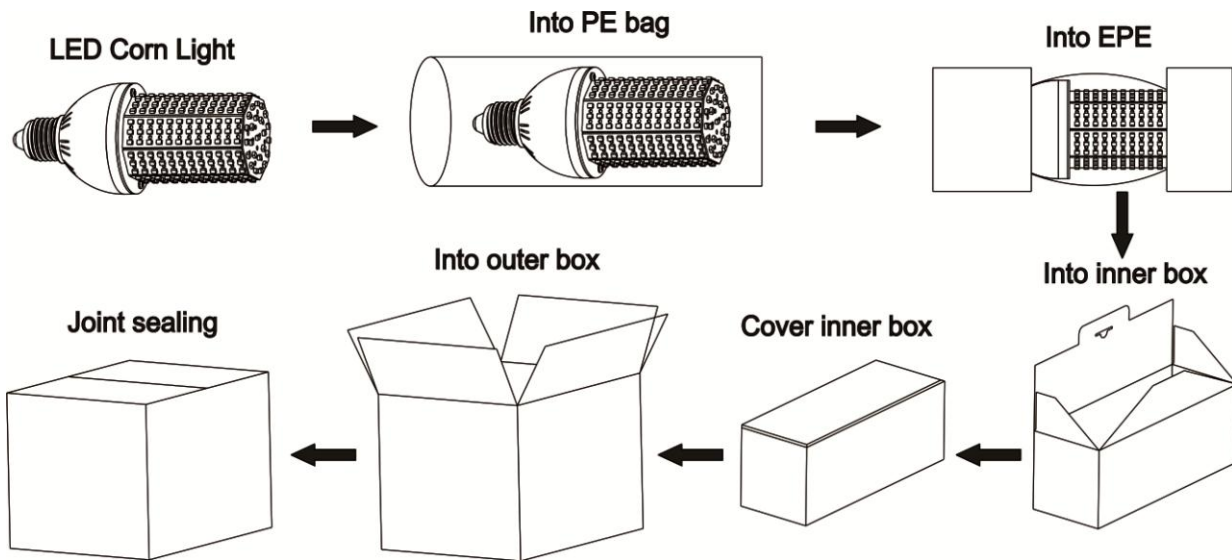
PRODUCT SPECIFICATIONS				
Product name	LED Corn Light			
Part No	NLS-CL-20W			
Light Type	Corn Light			
Dimension	Φ 93*152mm			
Technical Characteristic				
Color	Warm white	Natural white	Cool white	Cold white
Color temperature	2700-3200K	4000-4500K	6000-6500K	7000-7500K
CRI	70-80	70-80	70-80	70-80
Lumen	1850.0	1944.0	2048.0	2146.0
Lumen Efficacy	92.5	97.2	102.4	107.3
Input Power	20 W			
Viewing Angle	360 degree			
Input Voltage	AC90-265V 50/60Hz			
PFC	>90%			
Equivalent	120W incandescent / 40W CFL			
Waterproof Rating	IP20			
MATERIALS				
LED Brand	EPISTAR			
LED Type	SMD2835			
LED QTY	128 PCS			
Housing	PC			
Housing color	White			
OTHERS				
Operating Temperature	-20°C TO 45°C			
Operating Humidity	20%-70% RH			
Storage Temperature	-30°C TO 80°C			
Storage Humidity	10%-75% RH			
Application	Indoor			
Environment Protection	RoHS			
Safety Certification	CE			
Warranty Time	3 Years			

## NEWLITE SOLUTIONS LTD

Measured Data of Lamp			
Voltage: 231.7 V	Current: 0.092 A	Power: 20.6 W	Power Factor: 0.965
Total Flux	1994.90 lm	Central Intensity	501.56 cd
Lamp Efficiency	0.00%	Light Efficiency	96.84 lm/W
Peak Intensity	888.09 cd	Location of Peak(c, $\gamma$ )	(310.0°, 26.1°)
Half-Intensity Angle	99.9°	Beam Angle	138.6°
Upward Light Ratio	0	Downward Light Ratio	100%
Upward Street Side	0	Downward Street Side	929.74 lm
Upward House Side	0	Downward House Side	1065.14 lm
Flash Area(76°)	0 cm <sup>2</sup>	Discomfort Glare(SLI)	0



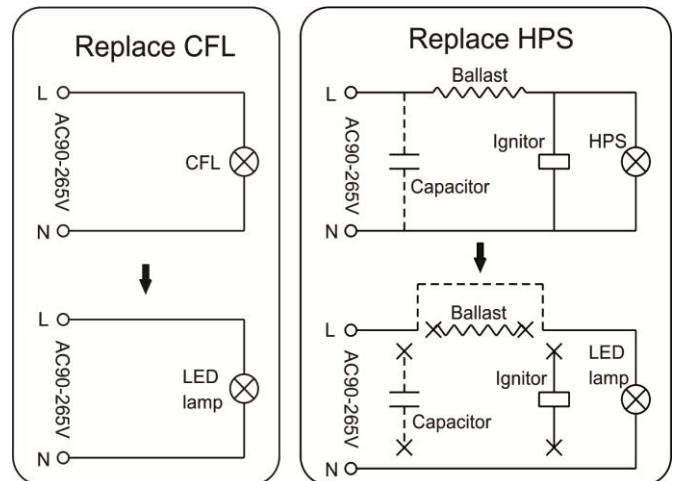
**Package**



	Size	Qty/ Carton	Net Weight/ Carton	Gross Weight/ Carton
inner box	230*115*115mm	1	0.27kg	0.43kg
outer box	610*245*250mm	10	2.7kg	4.7kg

**Notice For User**

- Please turn off power before install or change assembly parts.
- The input voltage and lamps should be matched, after connecting the power line, please make sure the wiring section is insulated.
- Make sure to remove or bypass the electronic ballast in the fixtures before install the lamps.
- Please don't use the lamps in closed fixtures, for closed fixtures, we suggest using external drive for the lamps.
- No-professionals, must not install and disassemble the lamps.



**Trouble Shootings**

Troubles	Check points
Flickering of the lamps	Turn off the power and turn on again in 3 minutes. If same phenomena occur, then call agencies
Out of working	Please check the connection

**NEWLITE SOLUTIONS LTD**